



PRODUCTS CATALOG

ELECTRICAL ENCLOSURES & MODULAR CABINETS



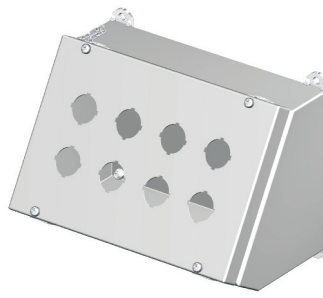
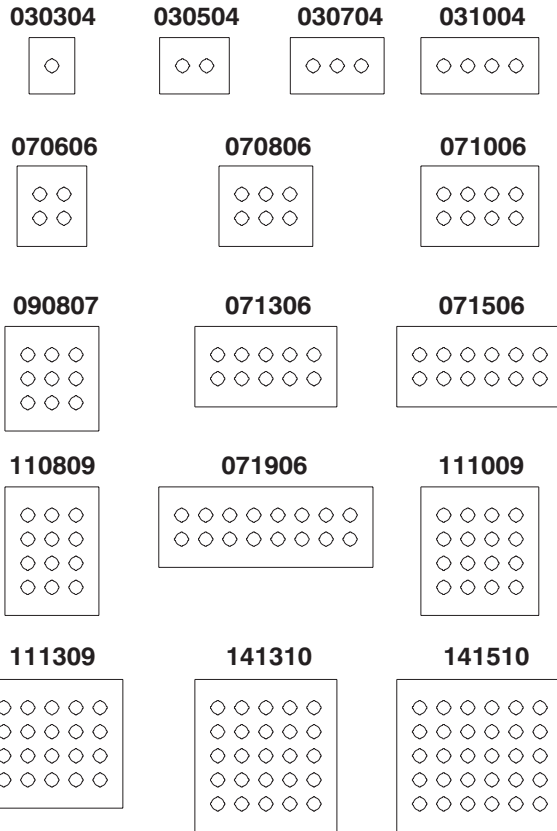
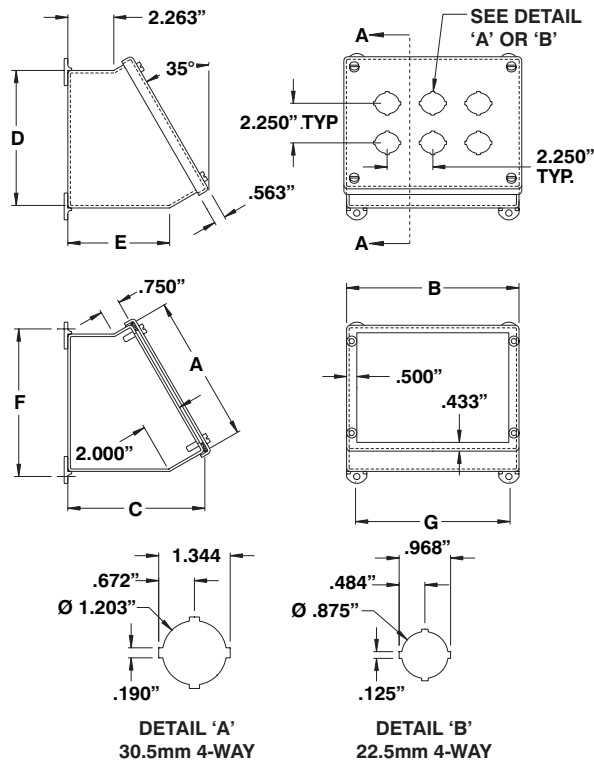
20

exmweb.com

NEMA 4-12 PUSHBUTTONS

1412 SF

OIL & DUST TIGHT SLOPED FRONT PUSHBUTTON ENCLOSURES



CATALOG NUMBER	QTY. HOLES	DIMENSIONS							SHIP WGHT LBS.
		A	B	C	D	E	F	G	
1412 SF030304	1	4.000	3.500	4.970	4.342	2.762	4.987	2.375	2
1412 SF030504	2	4.000	5.750	4.970	4.342	2.762	4.987	4.625	3
1412 SF030704	3	4.000	8.000	4.970	4.342	2.762	4.987	6.875	5
1412 SF031004	4	4.000	10.250	4.970	4.342	2.762	4.987	9.125	6
1412 SF070606	4	7.750	6.500	6.845	7.592	4.637	8.237	5.375	6
1412 SF070806	6	7.750	8.750	6.845	7.592	4.637	9.237	7.625	7
1412 SF071006	8	7.750	11.000	6.845	7.592	4.637	8.237	9.875	9
1412 SF090807	9	10.000	8.750	7.970	10.192	4.637	10.837	7.625	10
1412 SF071306	10	7.750	13.250	6.845	7.592	4.637	8.237	12.125	10
1412 SF071506	12	7.750	15.500	6.845	7.592	4.637	8.237	14.375	11
1412 SF110809	12	12.250	8.750	9.095	12.786	4.637	13.431	7.625	13
1412 SF071906	16	7.750	20.000	6.845	7.592	4.637	8.237	18.875	14
1412 SF111009	16	12.250	11.000	9.095	12.786	4.637	13.431	9.875	14
1412 SF111309	20	12.250	13.250	9.095	12.786	4.637	13.431	12.125	16
1412 SF141310	25	14.500	13.250	10.220	15.386	4.637	16.031	12.125	17
1412 SF141510	30	14.500	15.500	10.220	15.386	4.637	16.031	14.375	19

Notes :

- Enclosures are also available with blank covers, add suffix 'C' to the catalog number (i.e. 1412 SFC071306)
- Enclosures are also available with 22.5mm pushbutton holes, add suffix 'MN' to the catalog number (i.e. 1412 SF071306MN).

468

